

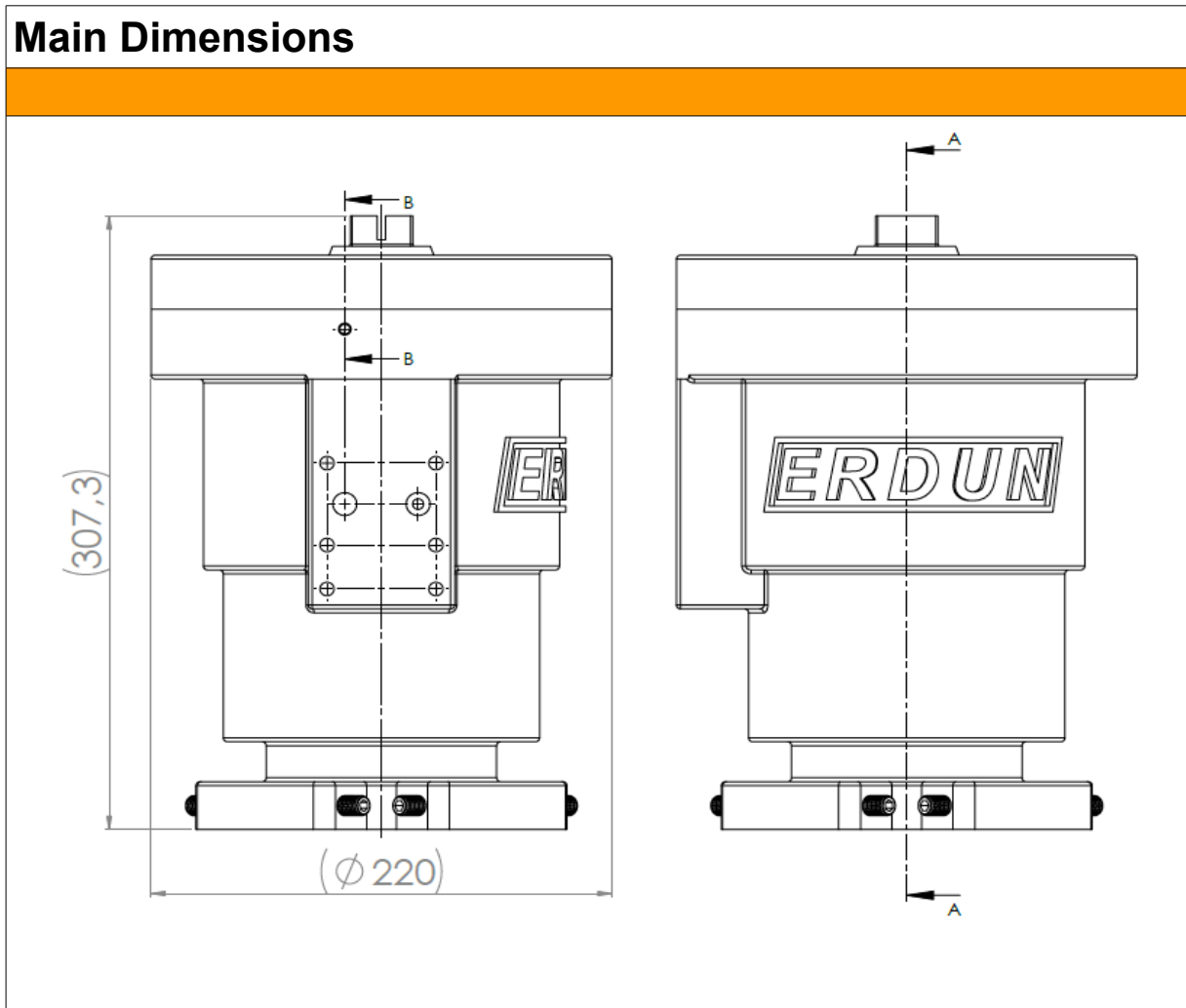
VA 3000 HYDRAULIC ACTUATOR

Hydraulic double-acting rotary actuator 90° (Quarter-turn)

Main Data

Recommended working pressure range	30 to 200 bar
Total dry weight	55 kg
Temperature range	Normal application: -25°C to +75°C (NBR Seal set)
Rotation	90° ±1°
Hydraulic media and viscosities	We recommend acid-free hydraulic oil Viscosity range: 15-200 cSt

Main Dimensions



Performance

Operating Pressure (Bar)		Torque (Nm)
0	→	0
50	→	1125
100	→	2250
110	→	2475
130	→	2925
150	→	3375
178	→	4000

