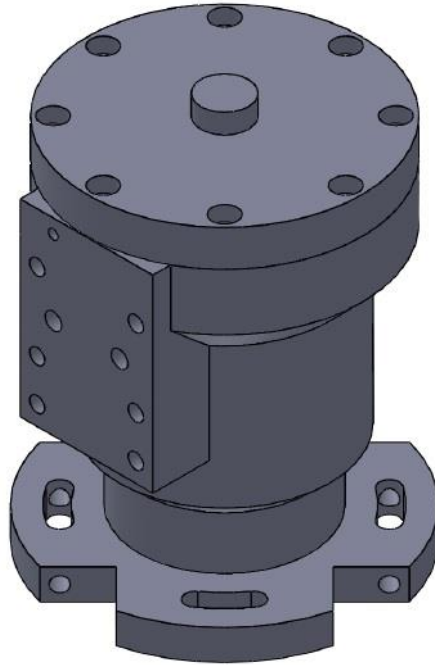


Product Data Sheet

April 2020

## ERDUN – VA 1000 HYDRAULIC ACTUATOR

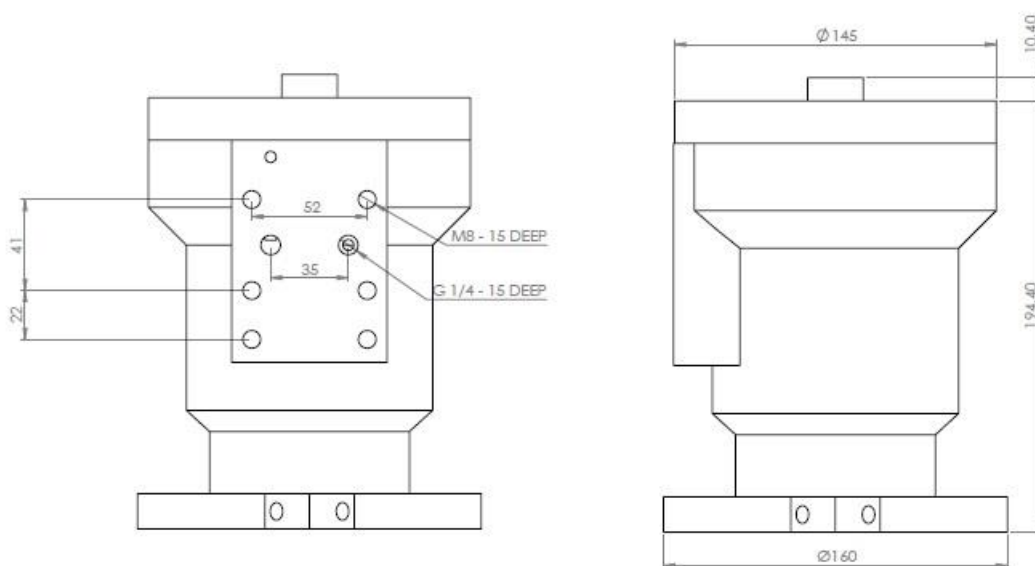
Hydraulic double-acting rotary actuator 90° (Quarter-turn)



## Main Data

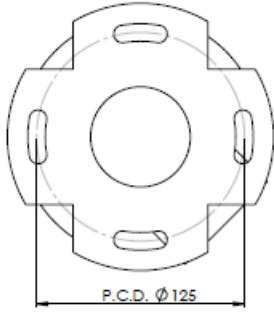
Recommended working pressure range	30 to 200 bar
Total dry weight	14,6 kg
Oil Displacement	0,204 liter
Temperature range	Normal application: -30°C to +105°C (PTFE Seal set)
Rotation	90° ±1°
Hydraulic media and viscosities	We recommend acid-free hydraulic oil Viscosity range: 15-200 cSt

## Main Dimensions



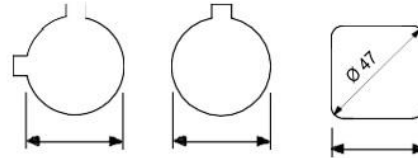
\*All dimensions are in mm.

## Valve Mounting



Limits for the machining for the actuator:

Shape



Machined acc. to:	DIN 6885	DIN 79
mm (max.):	Ø 42	□ 36

\*ISO5211 Flange and Shaft drive

## Performance

