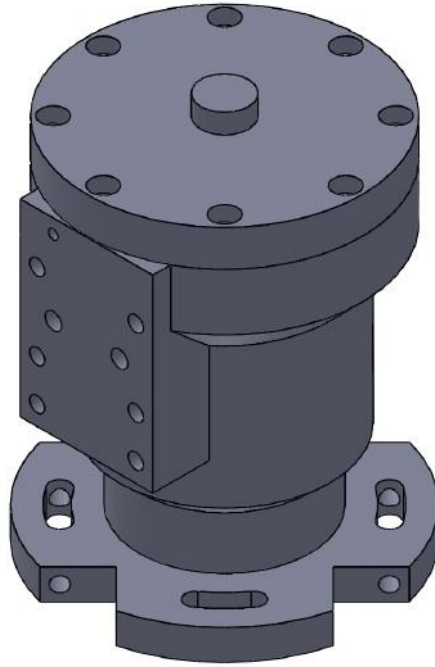


Product Data Sheet

May 2020

## ERDUN – VA 250 HYDRAULIC ACTUATOR

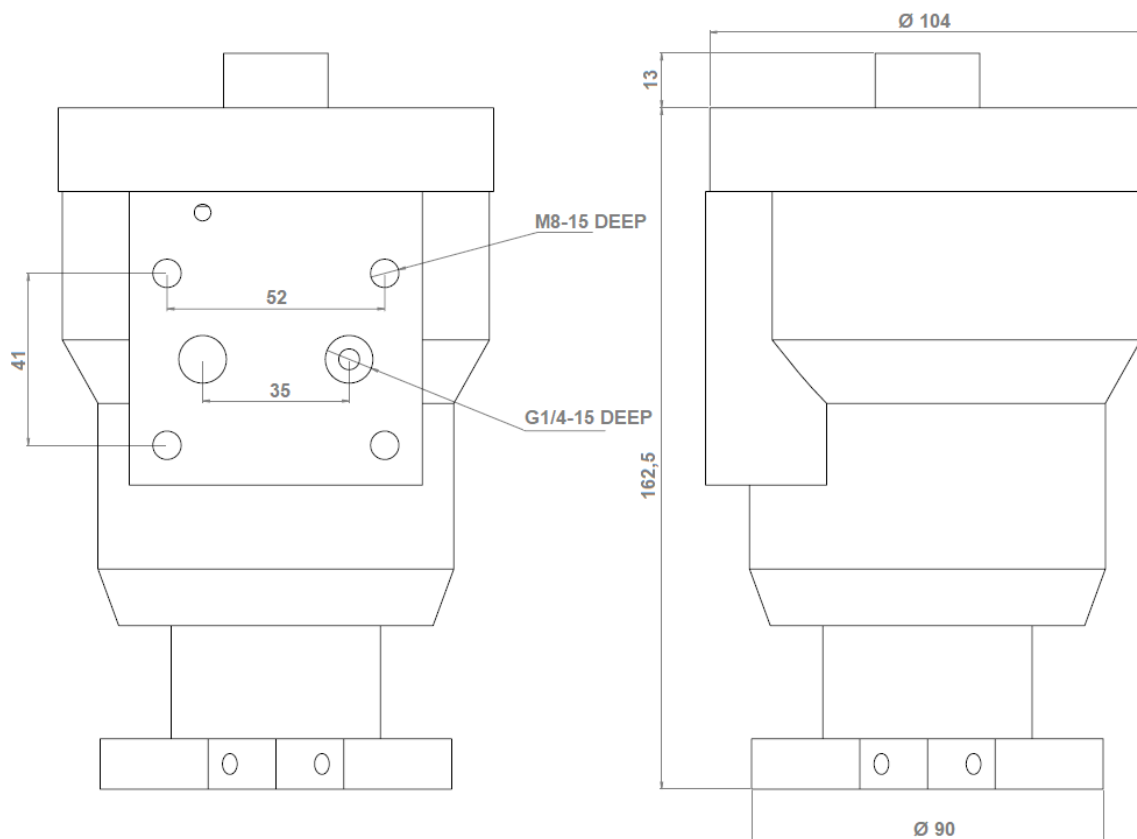
Hydraulic double-acting rotary actuator 90° (Quarter-turn)



## Main Data

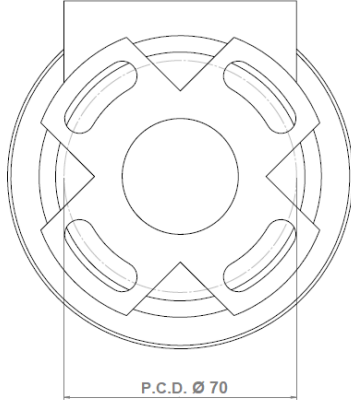
Recommended working pressure range	30 to 200 bar
Total dry weight	7,9 kg
Oil Displacement	0,078 liter
Temperature range	Normal application: -30°C to +105°C (PTFE Seal set)
Rotation	90° ±1°
Hydraulic media and viscosities	We recommend acid-free hydraulic oil Viscosity range: 15-200 cSt

## Main Dimensions




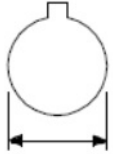
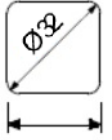
\*All dimensions are in mm.

## Valve Mounting

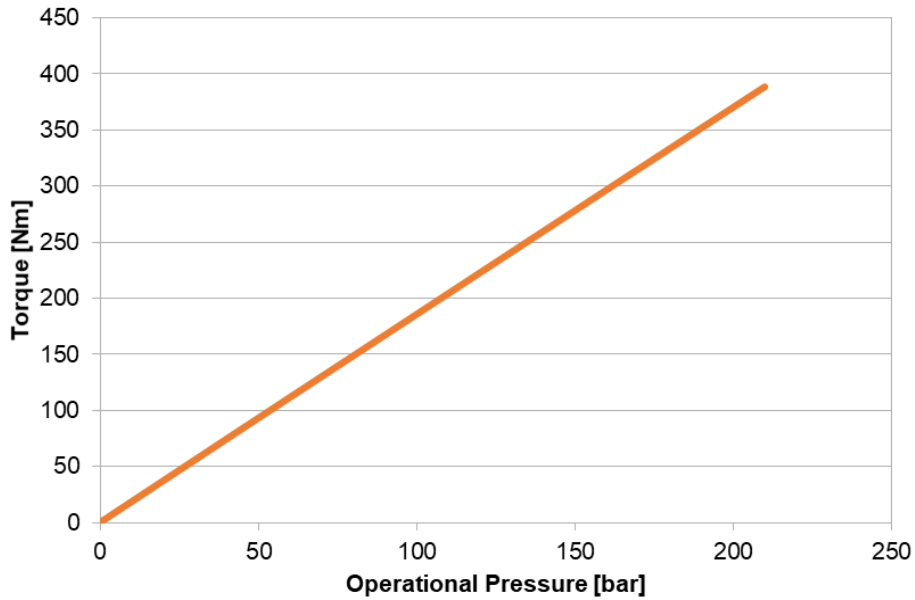


\*ISO5211 Flange and Shaft drive

### Limits for the machining of the actuator

Shape			
Machined acc. to:	DIN 6885		DIN 79
mm (max.):	Ø 25		□ 24

## Performance



ERDUN Makina Sanayi ve Dış Tic. Ltd. Şti.

Evliya Çelebi Mh. İstasyon Cd. Giptaş Sanayi Sitesi D Blok No:27 Tuzla İstanbul

Tel: +90 216 446 34 00

Email: info@erdun.com.tr Web: www.erdun.com.tr